

National Centre for Antarctic & Ocean Research
(An Autonomous Society under the Ministry of Earth Sciences)
Headland Sada, Vasco-da-Gama, Goa-403804



Tender Document

Tender No:-NCAOR/EST/CE/02/17-18

**Name of the work: - Supply & Installation of FRP Cabins for Security
at NCAOR, Goa**

**National Centre for Antarctic & Ocean Research (*Ministry of Earth Sciences*),
Govt. of India, Headland Sada, Vasco-da-Gama, Goa-403804 (Tel: 0832-2525578/542)**

NOTICE INVITING TENDER

Tender No: NCAOR/EST/CE/02/17-18

The Director, NCAOR invites sealed Tender for **Supply & Installation of FRP Cabins for Security** at NCAOR, Goa. The eligible contractors may visit NCAOR website www.ncaor.gov.in and www.eprocure.gov.in or contact the above office for detailed tender document.

Director

Instructions to the Bidders

1. The Director, NCAOR, Goa invites sealed tenders in one cover system, for the work of **Supply & Installation of FRP Cabins for Security at NCAOR** on turnkey basis, from the contractors of Government/PSU/Reputed Organizations, who have carried out at least one single civil work of Rs. 2 lakhs or above during last 3 years ending June 2017.
2. Time period for completion of work is **45 days** from the date of work order.
3. Any/firm/company which is black listed from any organization &/or facing/having faced any legal/criminal action/case are not eligible for this tender & should not apply.
4. The Tender Cost is **200/-** (Rs. Two Hundred only). Tender document is available on the website: www.ncaor.gov.in or can also be obtained from the Estate Section, NCAOR during the office hours between 10.00 hrs to 16.00 hrs. on or before 03.07.2017 by a written request & payment of **200/-** by DD drawn in favour of Director, NCAOR, payable at Vasco-da-Gama, Goa. Bids received without Tender Form Fee will be summarily rejected.
5. The Earnest Money Deposit Amount (EMD) is **10,500/-** (Rs Ten Thousand Five Hundred only) to be submitted in the form of a demand draft from a scheduled bank, drawn in favour of Director, NCAOR, payable at Vasco-da-Gama, Goa. Tender received without EMD will be rejected outright. EMD DD of unsuccessful bidders will be returned as it is. EMD of the successful bidder will be converted in to Security Deposit.
6. Entire tender document (Signed and Stamped on all pages) should be submitted in a **Single Sealed cover**, super scribed with Tender number, name of the work, date and time of opening. Tenders will be received upto **11.00 am on 04.07.2017** and will be opened at **11.30 am on the same day**. Tenders should be dropped in the tender box kept in the Estate section before the closing date and time indicated. If the tender opening day happens to be a holiday then tenders will be opened on the next working day on the same time. In case of submission of tender by post/courier, NCAOR is not responsible for any postal/transit delay. Late tenders will be rejected outright.
7. NCAOR does not bind to accept the lowest or any tender and reserves the right of accepting the whole or any part of the tender and the tenderer shall be bound to perform the same at the rates quoted.
8. Tender submitted shall remain valid for **90 days** from the date of opening for the purpose of acceptance and award of work. The extension of validity beyond 90 days from the date of opening shall be by mutual consent.
9. The tenderer shall quote RATES both in figures and words. He shall also workout the amount for each item of work and write in figures. On checking if there are differences between the rates quoted by the tenderer in words and figures or in the amount worked out by him, the following procedure shall be followed:
 - a) When there is a difference between the rates in figures and in words, the rates, which correspond to the amounts worked out by the tenderer, shall be taken as correct.
 - b) When the amount of an item is not worked out by the tenderer or it does not correspond with the rate written either in figure or in words then the rate quoted by the tenderer in words shall be taken as correct.
 - c) When the rate quoted by the tenderer in figure and in words tallies but the amount is not worked out correctly then the rate quoted by the tenderer shall be taken as correct and not the amount.

10. Before submission of tender, tenderer may inspect the site to acquaint himself about the condition in regard to accessibility of site, nature and extent of ground, working condition of site and locality including stacking of materials, installations of tools and plants etc., conditions affecting movement of labour etc. required for the satisfactory execution of work contract. No claim whatsoever on such account shall be entertained by NCAOR under any circumstance.
11. Tenders with conditional prices / discounts will be rejected.
12. Successful bidder should commence the work within one week from the date of work order, failure of which, EMD will be forfeited.
13. Except writing rates and amount, the tenderer should not write any conditions or make any changes, additions, alterations and modifications in the Price Schedule of tender.
14. Time is essence of the contract. The job must be completed within the stipulated time period, otherwise the contract is liable for penalty &/or termination as stipulated in the penalty clause.
15. The tender is liable for disqualification, if bidder is found to have mislead or furnished false information in the forms / statements / certificates submitted in proof of qualification requirements or record of performance such as abandoning execution of the works, litigation history &/ or financial failures and or suppression of material facts and information .

-----XXXXXXXXXX-----

Standard Terms and Conditions

1. INTERPRETATION:

In construing these conditions the Specifications, the Schedule of Quantities, additional Conditions and Agreement, the following words shall have the meanings herein assigned to them except where the subject or context otherwise requires.

WORK OR WORKS: shall mean all work or works defined in schedule of quantities. Specifications and such other work or works as the contractor may be entrusted with for carrying out under this contract.

EMPLOYER: shall mean the Director, NCAOR (National Centre for Antarctic & Ocean Research) or any other officer authorized by the Director for the purpose.

ENGINEER: shall mean the Engineer designated by the Employer to superintend and perform other duties as indicated in the contract.

CONTRACTOR: shall mean the individual or Firm or Company, whether incorporated or not, undertaking the work and shall include the legal personal representative or such individual or the persons composing such Firm or Company or the successors of such Firm or Company and the permitted assignees of such individual or Firm or Firms or Company.

SITE: shall mean the site of the contract works including any buildings and erections thereon and any other land adjoining thereto (inclusive) as aforesaid allotted by the Employer or the Engineer for the contractor's use.

COMPENSATION: shall mean all sums payable by way of compensation under any of the conditions shall be considered as reasonable compensation without reference to the actual loss or damage sustained and whether or not any damage sustained and whether or not any damage shall have sustained.

Words imputing persons include firms and corporations, words imputing the singular only also include the plural and vice versa where the context so required.

The headings are given to the clauses for convenience and they will not limit the meaning or scope of the clauses in any way.

2. CONTRACTOR TO PROVIDE EVERYTHING NECESSARY

- a. The contractor shall provide at his own cost all materials, (except such materials, if any as may in accordance with the contract, be supplied by the Employer). Plants, tools, appliances, implements, ladders, scaffolding, temporary works etc. requisite for the proper execution of the work whether original, altered or substituted and whether included in the specifications or other documents forming part of the contract or which may be necessary for the purpose of satisfying or complying to the requirements of Engineer, as to any manner as to which under these conditions he is entitled to be satisfied together with carriage therefore to and from the work. The contractor shall also supply without charge the requisite number of persons with means and materials necessary for the purpose of setting out works and counting, weighing and assisting in the measurement or examination at any time and from time to time of the work or materials. Failing his so doing, the same may be provided by the Engineer at the expense of the contractor and the expenses may be deducted from any money due to the contractor under the contract and /or from his Security Deposit.
- b. The Contractor should personally supervise each work till completion or may appoint a qualified Supervisor, pre-approved by the Engineer till the completion of work. No separate supervision charges will be paid.
- c. NCAOR shall provide requisite quantity of water, electricity for carrying out the work free of cost, subject to availability in the NCAOR campus.
- d. The Employer on no account shall be responsible for the expenses incurred by the contractor for anything hired, which the contractor needs to complete the ordered work.

3. DUTIES & TAXES

Rates quoted by the contractor shall include excise and all duties, octroi, toll tax, levies, royalties and all other taxes in respect of this contract. VAT & Service Tax as applicable is to be stated specifically in the prescribed columns of the price bid. In absence of any such stipulation, it will be presumed that rates quoted are inclusive of VAT & Service Tax and no claim whatsoever in this respect will be entertained later.

4. MODE OF PAYMENT

Payment to the party will be released within 30 days upon submission of bill in duplicate after satisfactory completion of the entire work as per the actual quantity executed on site, as certified by the engineer after deduction of statutory taxes. No part payment / advance will be made.

5. DEFECTS LIABILITY PERIOD (DLP)

DLP is **Twelve Months** from the date of completion of work as certified by the Employer. During the DLP if any defects in the work are observed then the Contractor has to rectify them immediately at his own cost.

6. SECURITY DEPOSIT (SD)

SD is 10% of the final bill value. EMD of the successful bidder will be converted into SD. The balance SD amount will be deducted from the final bill amount of the contractor. SD is interest free and will be released only after successful completion of Defect Liability Period.

7. TESTING OF MATERIALS

The contractor shall provide assistance, instruments, materials, labour and any other arrangement normally required for testing, checking of materials and workmanship as stipulated in the specifications and by statutory authority, at his own cost. The Employer has the right to appoint the testing authorities. The contractor shall pay for the cost of test samples, its packing, transportation including testing fees. Failing so doing the same shall be provided by the Engineer at the expense of the contractor and the expenses may be deducted from any money due to the contractor under the contract and/or from the Security Deposit or proceeds thereof or of a sufficient portion thereof.

8. CONTRACTOR'S ENGINEERS/FOREMAN & WORKMEN

- a. The contractor shall give all necessary personal superintendence during the execution of the work and as long thereafter as the Engineer may consider necessary until the expiration of the Defects Liability Period. The contractor shall employ competent Site-Engineer/Foreman as per CPWD norms and as approved by the Engineer whose qualification must conform to the requirement specified by the Engineer who shall be constantly in attendance of the work while the men are at work. Any directions, explanations, instructions or notices given by the Engineer to such Site-Engineer or Foreman or any other authorized agent shall be held to be given to the contractor.
- b. The contractor shall on the request of the Engineer immediately dismiss from the works any person employed thereon who may in the opinion of the Engineer be unsuitable or incompetent or who may in the opinion of the Employer misconduct himself.

9. ACCESS

- a. The Engineer and the Employer or its representative shall at all reasonable time have free access to the works and /or workshops, factories or other places the materials are being prepared or constructed for the contract and also to any place where the materials are lying or from which they are being obtained and the contractor shall give every facility to them for inspection. Except the representatives of statutory authorities and those mentioned above no other person shall be allowed on the works at any time without the permission of the Engineer.
- b. If any work is to be done at a place other than the site of works, contractor shall obtain written permission of the Engineer.

10. VALUATION & PRICE FOR VARIATION

The Engineer with the approval of the Employer shall have power to make any alterations/omissions/additions and /or substitutions from the original specifications, drawings, designs and written instructions and such alterations, omissions, additions, substitutions shall not invalidate the contract and any altered , additional , or substituted work which the contractor may be directed to do, in the manner specified above as part of the work shall be carried out by the contractor on the same conditions in all respects on which he agreed to do the main work. The rates for such altered additional or substituted work under this clause shall be worked out in accordance with the following provisions in their respective order,

- a. If the rates for the altered, additional, or substituted work are specified in the contract for the work the contractor is bound to carry out the altered additional, or substituted work at the same rates as are specified in the contract for the work.
- b. If the rates for the altered, additional or substituted work are not specifically provided in the contract for the work the rates will be derived from the rates for a similar class of work as are specified in the contract for the work.
- c. Under no circumstances the contractor shall suspend the work on the plea of non-settlement of rates of items falling under the clause.

11. FAULTY MATERIALS, WORKMANSHIP & DEFECTS AFTER COMPLETION

- a. The Engineer shall have powers to require the removal from the site of all materials and work, which in his opinion are not in accordance with specifications and in case of default , the Engineer shall be at liberty to employ other persons to remove the same without being answerable or accountable for any loss or damage that may happen or arise to such materials to be substituted thereof and in case of default the Engineer may cause the same to be supplied and all costs which may attend such removal and/or substitution are to be borne by the contractor.
- b. If it shall appear to the Engineer or to the Estate In-charge that any work has been executed with unsound imperfect or unskillful workmanship or with materials of any inferior description or that any materials or articles provided by him for the execution of the work are unsound or of a quality inferior to that contracted for or otherwise not in accordance with the contract any defects , shrinkage or other faults which may appear within the defects liability period of Six months from the date of completion arising in the opinion of the Engineer, the contractor shall on demand in writing which shall be made within six months of the completion of the work from the Engineer specifying the work, materials , articles defects or other faults complained of notwithstanding that the same may have been passed, certified and paid for forthwith rectify or remove and reconstruct the work so specified in whole or in part as the case may require or as the case may be removed the materials or articles so specified and provide other proper and Suitable materials or articles at his own cost. In case of any such failure, the Engineer may rectify or remove or re-execute the work or remove and replace with others, the material or articles complained of as the case may be at the risk and cost in all respects of the contractor.
- c. In lieu of rectifying the work not done in accordance with the contract, the Employer may, allow such work to remain, and in that case make allowance for the difference in value, together with such further reduction as in his opinion may be reasonable.
- d. Provided always that nothing in this clause shall relieve the contractor from his liability to execute the works in all respects in accordance with the terms and conditions of this contract, or from his liability to make good all defects.

12. WORKS SHOULD BE OPEN FOR INSPECTION

- a. All work under or in course of execution or executed in pursuance of the contract shall at all times be open to the inspection and supervision of the Engineer and the contractor shall at all times during the usual working hours, and at all other times at which reasonable notice of the intention of the Engineer to visit the works shall have been given to the contractor.
- b. The contractor at least three days notice in writing to the Engineer before covering up or otherwise placing beyond the reach of measurement any work in order that the same may be measured and correct dimensions thereof be taken.

13. INDEMNIFYING AGAINST DAMAGES TO PERSONS, PROPERTY & STATUTES

The contractor shall take all precautions to avoid all accidents by exhibiting necessary caution boards day and night, speed limit boards, red flags, red lights and providing barriers. He shall be responsible for all damages and accidents caused due to negligence on his part. No hindrance shall be caused to traffic during the execution of work.

- a. The contractor shall be responsible for all injury to persons, animals or things and for all damage whether such injury or damage arises from carelessness or accident in any way connected therewith. This clause shall be held to include inter alia any damage due to causes as aforesaid to work, building (whether immediately adjacent or otherwise) and to roads, streets, foot paths, bridges or ways as well as all damage caused to the buildings and works forming the subject of this contract by inclemency of weather. The contractor indemnifies the Employer and holds him harmless in respect of all expenses arising from such injury or damages as aforesaid and also in respect of any award of compensation or damage consequent.
- b. The contractor shall reinstate all damage of every sort mentioned in this clause so as to deliver the whole of the contracted works complete and perfect in every respect and so as to make good and otherwise satisfy all claims for damage as aforesaid to the property of third Parties.
- c. The contractor also indemnifies the Employer against all claim which may be made upon the Employer for acts during the currency of this contract by any employee or representative of an employee of the contractor or any sub-contractors, employed by him for any injury to or loss of life of such employees or for compensation payable under any law for the time being in force to any workmen or to the representative of any deceased or incapacitated workmen.
- d. The Employer shall be at liberty and is hereby empowered to deduct the amount of any damages compensation costs charges and /or expenses arising or occurring from or in respect of any such claim and/or damages as aforesaid from any sum or sums due or to become due to the contractor or security deposit.
- e. The contractor shall indemnify the Employer against any action claim or proceedings relating to infringement or use of any patent or design or any alleged patent or design rights and shall pay any royalties which may be payable in respect of any article or part thereof included in the contract. In the event of any claims made under or action brought against the Employer in respect of any such matters as aforesaid the contractor shall be immediately notified thereof and the contractor shall be at liberty at his own expense to settle any dispute or to conduct any litigation that may arise there from provided that the contractor shall not be liable to indemnify the Employer if the infringement of the : patent or design of any alleged patent or design right is the direct result of an order passed by the said Employer or his authorized representative .

14. IN CASE OF DEATH OF CONTRACTOR

Without prejudice to any of the rights or remedies under this contract, if the contractor dies the Employer shall have the option of terminating the contract without compensation to the contractor.

15. COMPLIANCE TO LABOUR LAWS

The contractor shall comply with all the provisions of the Minimum Wages Act, 1948. Contract Labour (Regulation and Abolition) Act, 1970 and rules and orders framed there under and other labour laws affecting contract labour and the rules and orders framed there under that may be in force or brought into force from time to time. NCAOR will not take any responsibilities towards any injury or compensation etc.

16. EXTENSION OF TIME

- a. If the contractor shall desire an extension of time for the completion of the work on the grounds of his having been unavoidably hindered in its execution or any other ground, he shall apply in writing to the employer max. within seven days of the date of hindrance on account of which he desires extension as aforesaid and the Employer shall if in his opinion (which shall be final) reasonable grounds shown therefore authorize such extension of time if any which may in his opinion be necessary or

proper.

- b. In the event the value of work exceeds the value of the Bill of Quantities owing to variations the contractor shall be entitled to ask for extension of time in proportion to the increased value of work.

- 17. STATUTORY VARIATION:** Any statutory increase or decrease in the taxes and duties subsequent to bidder's offer if it takes place within the work completion date will be to the Employer's account subject to the claim being supported by documentary evidence. However, if any decrease in taxation rates takes place within the work completion date the advantage will have to be passed on to the Employer.
- 18. REPEAT/ADDITIONAL ORDERS:** NCAOR reserves the right to place repeat orders / additional orders on the successful bidder up to 25% of the original value of the Original Work Order at the same prices, terms and conditions stipulated in the original contract.
- 19. REPLACEMENTS OF GOODS BROKEN, DAMAGED OR SHORT:** In the event of any stores or part thereof being broken or damaged or received short during transit or during the testing and trial at site before commissioning in service the suppliers shall replace the same free of cost. However, NCAOR will arrange recoveries of amount equivalent to cost of such damaged / broken / short supplied materials before actual replacement is given.
- 20. POST TENDER CORRESPONDENCE / ENQUIRIES:** Any correspondence or enquiry subsequent to opening of the bids is not desirable, if the same is indulged into, it will be considered for disqualifying the tender. The Tenderer will be required to abstain from pursuing / canvassing the matter, directly or indirectly with any Officers of NCAOR, as otherwise the same would also amount to disqualification of the tender. However, bidder can ask their queries in writing regarding bidding conditions, bidding process prior to the bid opening and/or rejection of its bid, reason for rejecting a tender after opening of bids.
- 21. CLARIFICATIONS FROM BIDDERS:** To assist the process of examination, evaluation and comparison of bids, the Employer may ask all the bidders or any bidder individually for clarification, if any, of their bids, including breakdown of unit rates and price. The request for clarification and the response should be in writing, but no change in the price or substance of the bid will be sought, offered or permitted, except as required to confirm the correction of arithmetical errors discovered by the Employer in the course of scrutiny.
- 22. GUARANTEE:** If the goods, stores and equipments found defective due to bad design or workmanship the same should be repaired or replaced by the Contractor free of charge if reported within one year from the date of commissioning of items/equipments whichever. The Contractor will be responsible for the proper performance of the equipments / materials for the respective guarantee period.
- 23. PENALTY & TERMINATION OF CONTRACT:** Time is the essence of the contract. If the contractor fails to maintain the required rate of progress or to complete the work and clear the site on or before the contract or extended date of completion, he shall without prejudice to any other right or remedy available under the law, pay compensation the amount calculated at the rates stipulated below or as the Employer may decide (whose decision in writing shall be final and binding) on the amount of the tendered value of the work for every completed day / week (as applicable) that the progress remains below or that the work remains incomplete.

In case, the work is delayed/not completed within the period stipulated in the contract, penalty shall be levied @ 0.5% per week on the total contract cost subject to maximum of 10% of the total contract cost. The Engineer may without prejudice to his any other rights or remedy against the contractor in respect of any delay, inferior workmanship, any claims for damages and / or any other provisions of this contract or otherwise, and whether the state of completion has or has not elapsed, can take decision & inform the Contractor by notice in writing in any of the following cases.

- i. If the Contractor fails to rectify/replace the defects in spite of written notice by Engineer.

- ii. If the Contractor suspends the progress of work so that in the opinion of the Engineer he will be unable to secure completion of the work by the date of completion and do not improve performance even after written notice.
- iii. If the Contractor neglects to carry out his obligation under the contract and / or commits defaults in complying with any of the terms and conditions and does not remedy if even after written notice.

When the Contractor makes himself liable for action under any of the aforesaid cases, fails to complete the work even after six weeks after the completion period or in case the work is found not in accordance with the prescribed specification, drawings, Employer shall exercise its discretionary power either:

- a. To recover, from the Contractor as agreed by way of penalty clause above, OR
- b. To terminate the contract. Upon such termination, the full security deposit recoverable under the contract shall be liable to be forfeited/recovered and shall be absolutely at the disposal of the Employer, OR
- c. After giving notice to the contractor to measure up the work done by him, get the balance work done by another contractor. Any expenses which may be incurred in excess of the sum which would have been executed by the another contractor, shall be borne and paid by the original Contractor and may be deducted from any of his dues.

Due consideration will be given for waiver / levy of penalty only for the reasons absolutely beyond Contractor's control for which documentary evidence will have to be provided. The request for extension of time in writing giving reasons for delay with supporting documents shall have to be made immediately.

24. SETTLEMENT OF DISPUTES/ARBITRATION: The decision of the Director, NCAOR shall be final and binding for any dispute whatsoever. All questions, disputes or differences whatsoever which may at any time arise between the parties to this agreement touching the agreement or subject matter thereof, arising out of or in relation there to and whether as to construction or otherwise shall be referred to the decision of the Sole Arbitrator, appointed by the Director of NCAOR and the decision of the said Arbitrator shall be final and binding upon the parties.

25. RIGHT TO CANCEL TENDER/WORK ORDER: In case of strike, accident or any other unforeseen conditions causing stoppage of work, NCAOR reserves the right to cancel and/ or modify the tender / work order without any liability for any compensation and / claim or any description.

26. JURISDICTION: All questions, disputes or differences arising under out of or in connection with the Tender / Contract if concluded shall be subject to the exclusive jurisdiction of the court under whose jurisdiction the place from which the tender / Acceptance of tender is issued, is situated i.e. Goa.

I/ We have read all the Terms and Conditions above carefully and agreed to it.

Signature of Tenderer :

Date:

Company's Round Seal

Place:

Annexure-III**General Terms and Conditions**

1. All materials used shall be as per specifications and specified brands. If brand is not specified, it should be ISI marked where ever applicable. ISI marking referred to latest BIS code as published by Bureau of Indian Standards.
2. All measurements shall be at actual and as per site condition. No allowances shall be permitted for rough cast surfaces or for any aesthetical paintings, design bands, etc. Joint measurement shall be recorded with the Engineer.
3. The safe custody and upkeep of material/various items/equipments/tools & plants of various categories of works brought to site is the sole responsibility of the contractor and he shall employ sufficient supervisory personnel to ensure the safety of these items.
4. While executing/ assembly of the work the contractor shall ensure that existing cables/pipe lines/structures/fittings are not damaged and if due to his negligence, these are damaged, the same shall be set right with no extra cost to the Employer.
5. The contractor shall co-ordinate his work with other agencies employed by the Employer and ensure that the works of other agencies are not hampered in any way during the duration of the contract.
6. After the work is completed, the contractor shall clean all the external surroundings, premise etc. to the satisfaction of the Engineer.
7. Materials shall be brought to the site as supplied by the manufacturer and got approved before being used on the work after inspected and approved by engineer.
8. Time is the essence of the contract. The contractor has to perform as such that the entire work shall be completed within the stipulated time.
9. The bidder may visit the site and study the work involved vis-à-vis the quantity and specification before submission of bid. If any discrepancy is observed the same should be brought to the notice of the engineer.
10. Contractor shall provide all necessary tools and plants and safety devices etc. to his workmen as required.
11. The Contractor shall submit the material samples and relevant information for review and approval.
12. The Engineer at his discretion can make variations as specified below, be necessary for work and for that purpose and he has the authority to instruct the Contractor accordingly which Contractor should agree, follow and accordingly complete the work :
 - (a) Increase or decrease the quantity of any work included in the Contract,
 - (b) Omit any such work,
 - (c) Change the character or quality or kind of any such work,
 - (d) Change the levels, lines, position and dimensions of any part of the Works,
 - (e) Execute additional work of any kind necessary for the completion of the Works, or
 - (f) Change any specified sequence or timing of construction of any part of the Works.

However, where if any modification or change of original work necessitated by some fault of or breach of contract by the Contractor or for which he is responsible, any additional cost attributable to such defaults shall be borne by the Contractor.

-----XXXXXXX-----

EMD & Tender Cost details

I /we have enclosed,

1. A crossed DD No. í í í í í í í í í í dated í í í í í í í í í .. of
Rs. 10500/- (Rs. Ten Thousand Five Hundred only) drawn in favour of NCAOR payable at Vasco-da-Gama, Goa towards **EMD**.

2. A crossed DD No. í í í í í í í í í ..dated ..í í í í í í í í í of
Rs. 200/- (Rs. Two Hundred only) drawn in favour of NCAOR payable at Vasco-da-Gama, Goa towards **Tender Cost**.

Name & Signature of the Tenderer with seal:

Date:

Particulars of The Tenderer

(Providing the following details is mandatory. Enclose it with the tender)

Name of the Contractor : _____

Name of the Firm : _____

Telephone No. (Office) : _____

Telephone No. (Residence) : _____

E-mail ID / website : _____

Permanent office Address : _____

: _____

Residential Address : _____

: _____

Mobile No : _____

*PAN /TAN No. of the Firm : _____

*Service Tax No. : _____

*VAT No. : _____

*Contractor Registration No. : _____

Have you ever black listed from any Company/Organization/Institute etc. : YES / NO

*(*pl. enclose true copies)*

Name, Signature of the Tenderer with seal:

Work Completion Proforma

Pl. provide details of work experience in the following format. The work means turnkey civil works of Government/PSU/Reputed Organizations of at least one single civil work of Rs. 02 lakhs or above during last 3 years ending June 2017.

* Work Orders & Work Completion Certificates should be enclosed.

Sr. No.	Name of work	Name of the Client and Location of site	Value of work	Date of completion of work	Name of the Contact Person and contact numbers

Signature of the Tenderer with seal

Date & place:

SPECIFICATIONS AND SCOPE OF WORK

This includes manufacture, supply and installation of 6ø(L) x 4ø(B) x 8ø(D) FRP (Fibre reinforced polymer/plastic) security cabins (04 nos.) made of 30 mm thick panels using FRP skins made from chop strand matt and unsaturated polyester resin with viscosity in range of 400/450 CPS. The core of the wall panel will be insulated with foam of density ranging from 35 - 40 kg/m³. The roof will be of FRP sheet 2 - 4 mm thickness and sloping on all the four sides with sufficient projection on all the sides beyond the wall. The roof pattern to be similar to mangalore roofing. The flooring will be 20-25 mm thick cement sheet panels supported with MS/GI angles (50X50x5mm). The wall panels to be water as well as mild acid / alkali resistant. The hardware such as screws to be used will be GI only. All metallic (GI / MS) frame used should be FRP coated. The Vertical frame member to be provided with base plate to be anchored on the platform with 6 leg supports.

Provisions to be incorporated in the Cabin.

i) Door and Windows: Each security cabin will be provided with FRP door of size 2ø6ø x 6ø6ø with SS hinges 4ø (3 Nos.), SS handles 5ø (2 Nos.), SS Latch 8ø (1 Nos.), SS Tower bolt 5ø (1 Nos.) and SS Aldrop 8øx5/8ø (1 Nos) all as per approved makes. The door will be provided on one of the longer side (6ø).

Each security cabin will be provided with 2.5øX3ø (3 Nos) and 4øX3ø (1 Nos) powder coated aluminium sliding windows (with all accessories) of approved colour. Windows and door should be protected by FRP chajjas (1ø6ø Wide and 45 slope) which will be of same material as roofing.

ii) Furniture: Each security cabin will be provided with counter of size 6øx1ø6ø along the longer length made of FRP and supported by FRP angles / stiffeners at minimum 3 points on the wall. A fixed FRP sitting bench of size 2øx2ø6ø along the shorter span, opposite to the door to be provided.

iii) False ceiling: Fiber cements board 6mm thick.

iv) Electrical Provisions & fittings:

Each security cabin will be provided with provision of electrical points for fan, two led light, four bulkhead fitting, 5Amps power point and switch board for the same.

Double pole MCB 20A with metal enclosure.

Ceiling fan 400 mm sweep with plastic body (1 no.) of Bajaj, V guard, Almonard, Havells or equivalent make.

Surface mounted LED square luminaire similar to Havells, DIVA(6000K,15W,LHEAAMP7IL1W015) in cabin (2 nos.) or equivalent make of Philips, Bajaj, CG.

PVC body Bulkhead luminaire fitting of Pressteak, with 18W LED bulb Ganpati or equivalent make on the exterior wall in the centre top one on each side (4 Nos)

v)Colour Scheme: The entire colour scheme for interior, exterior and the roof will be approved by NCAOR prior to execution.

The job also includes installation of the security cabins at various locations in the campus for which the necessary arrangements such as hiring of labour, cranes etc complete will be done by the contractor at no extra cost.

The contractor to provide one year warranty from the date of successful installation of the security cabins.

The successful bidder has to provide working drawings of security cabin with details and manufacturing to commence only on approval of the workings drawing.

List of approved makes :

- Glass ó Modi guard , saint gobin or equielent make.
- Aluminium section ó Jindal , Indal , Hindalco.
- Steel section ó apollo, Jindal.
- Handles / Hardware ó Ebco / Efficient Gadget / Doorset / Dorma / Hettich/ Neki / Max / Union
- False ceiling- Armstrong.
- Hinges : Hettich, Haffle.
- Wire: Finolex, polycab.
- Switch and Socket : Roma , Legrand
- MCB: Legrand , schnider
- Fan : Bajaj, V-guard , Almonard , Havels
- LED Light: Havels, Philips, Bajaj, CG.
- Bulkhead fitting: Ganpati

**In the event of non- availability of the recommended brands, suitable substitution may be made with prior approval*

Inspection : Once the FRP cabins are ready as per our requirement, the contractor will inform Estate In-Charge for inspection at manufacturing site. Estate Engineer shall inspect the cabins & approve for delivery to NCAOR for installation. If any shortcomings are observed, the contractor shall rectify the same immediately before delivery of cabins.

SCHEDULE OF RATES (PRICE BID)**Annexure - VIII****(Only RATE in words and figures. Amount in figures)**

Sr.	Description	Unit	Qty	Rate (Rs)	Amount (Rs)
01.	Supply and installation of 6'(L)x 4'(B)x 8'(D) FRP (Fibre Reinforced Polymer/Plastic) Cabins for Security at specified locations in NCAOR Campus and as per the details mentioned in Specifications and Scope of work and drawing.	Nos	4		
	RATE in words:				
A	Vat %				
B	Service tax%				
C	Other Charges (if any)				
D	Grand Total :				

***all pages of price bid should be signed & stamped.**

(D) Grand Total: Rs. _____

Grand Total in words: Rs. _____

- Discount offered if any, should be included in the quoted rates & should not be shown separately.
- Bidders should quote all items given in the price bid.
- Price Evaluation Criteria - The Lowest Evaluated Bidder (L1) would be arrived from the Grand Total (D) above.

Certificate:

I/we (Name of the bidder) _____ on

behalf of (Name of the Firm) _____,

hereby certify that i/we have quoted all the items of the Price Bid & accept all the terms & conditions of the tender.

Signature of the tenderer & date :**Seal:**

Checklist

All bidders are advised to submit tender strictly as per the conditions stipulated in the tender document. Please enclose the following with the tender & submit all in a **Single Sealed Cover**.

Cover (Sealed):

1. Covering letter from the Tenderer on his firm's letterhead.
2. Tender fee in the form of DD.
3. EMD in the form of DD
4. Annexure ó IV (EMD & Tender Fee details)
5. Annexure ó V (Particulars of the Tenderer)
6. True copy of PAN/TAN, VAT, Service Tax & trade registration etc.
7. Annexure ó VI (Work Completion Proforma), along with self attested copies of work orders & work completion certificates.
8. Annexure ó VIII (Price Bid), with signature & stamp on all pages

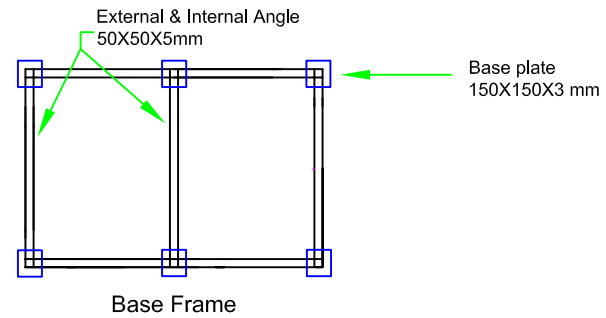
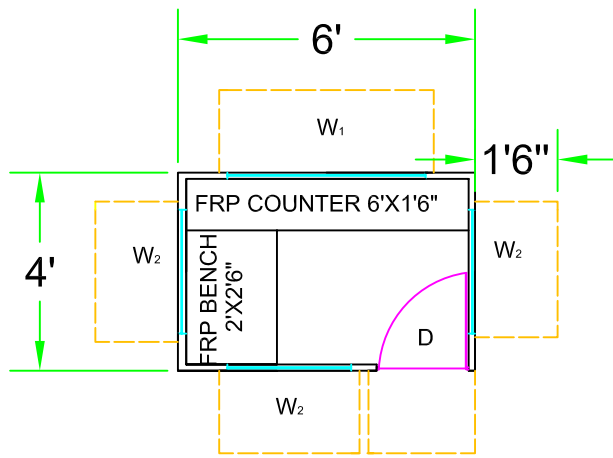
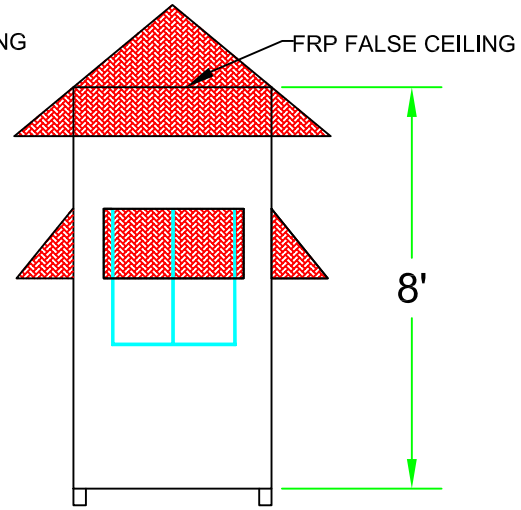
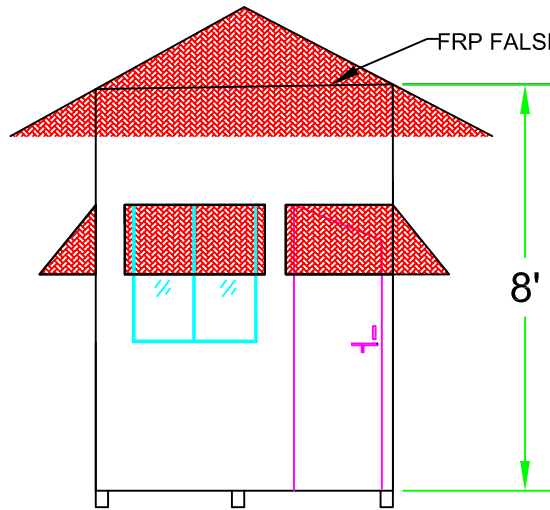
All above documents should be sealed in a **Single Sealed Envelope** (Single Bid System) superscribing Name of the Tender, Tender Number, Date of opening & Time and address to Director, NCAOR, Headland Sada, Vasco-da-Gama, Goa 403804. Tenders duly completed in all respect should be dropped in the tender box kept in the Estate Section of NCAOR on or before the due date & time (04.07.2017 / 11.30 AM)

Annexure - X

List Of Drawings

PI refer DRAWING No. 1 attached

DETAILS OF FRP SECURITY CABIN (6'X4X'8')



DRAWING 1

FRP DOOR (D)- 2'6" X 6'6"

ALUMINIUM WINDOW (W₁)- 4'X3'

ALUMINIUM WINDOW (W₂)- 2'6"X3'

All dimension is in Feet